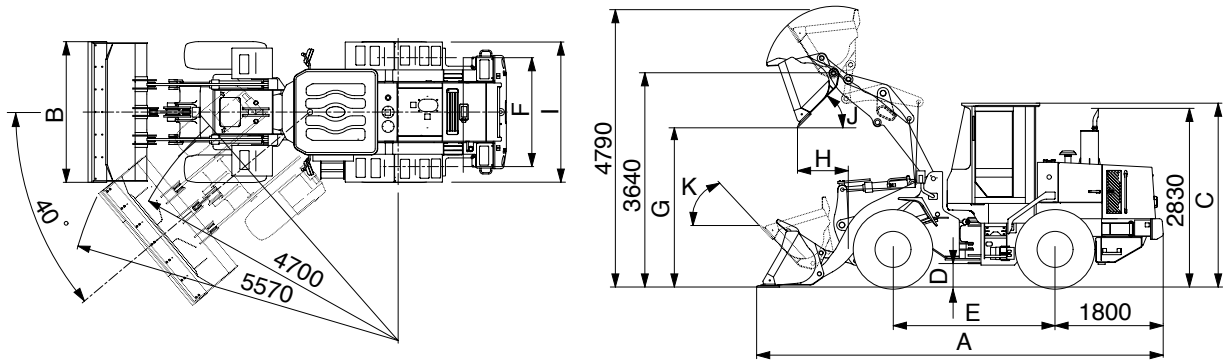


2. SPECIFICATIONS

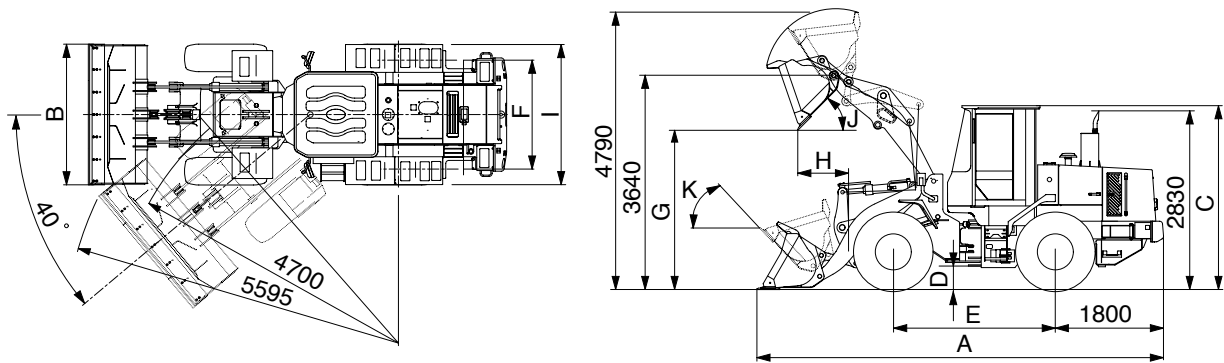
1) WITHOUT TOOTH AND CUTTING EDGE TYPE BUCKET



73072SP02

Description		Unit	Specification	
Operating weight		kg(lb)	9700(21380)	
Bucket capacity	Struck	m ³ (yd ³)	1.4(1.9)	
	Heaped		1.7(2.2)	
Overall length	A	mm(ft-in)	6770(22' 3")	
Overall width	B		2450(8' 0")	
Overall height	C		3120(10' 3")	
Ground clearance	D		370(1' 3")	
Wheelbase	E		2750(9' 0")	
Tread	F		1850(6' 0")	
Dump clearance at 45°	G		2780(9' 1")	
Dump reach(Full lift)	H		970(3' 2")	
Width over tires	I		2295(7' 6")	
Dump angle	J		Degree (°)	48
Roll back angle(Carry position)	K			48
Cycle time	Lift(With load)	sec	5.2	
	Dump(With load)		1.0	
	Lower(Empty)		2.3	
Maximum travel speed		km/hr(mph)	37.0(23.1)	
Braking distance		m(ft-in)	12(39' 4")	
Minimum turning radius(Center of outside tire)			4.70(15' 5")	
Gradability		Degree (°)	30	
Travel speed	Forward	First gear	6.9(4.3)	
		Second gear	12.1(7.5)	
		Third gear	22.1(13.8)	
		Fourth gear	37.0(23.1)	
	Reverse	First gear	7.3(4.5)	
		Second gear	12.8(8.0)	
Third gear		23.3(14.5)		

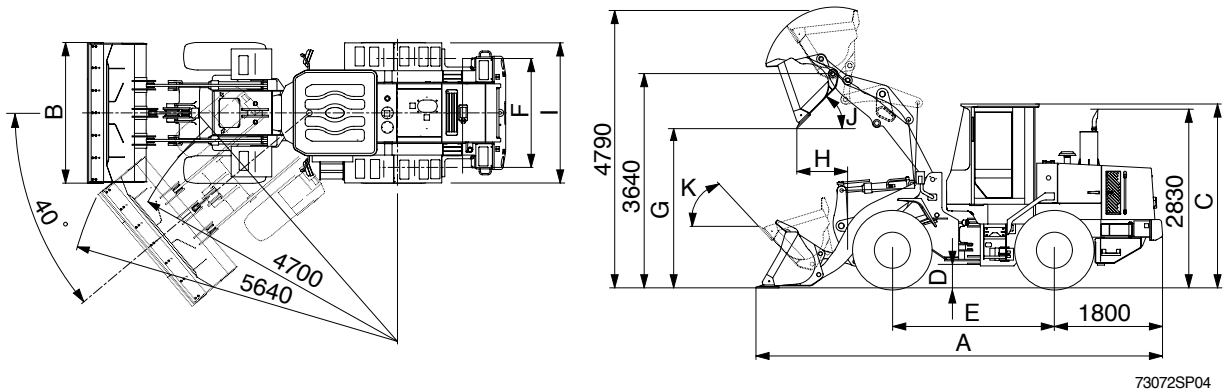
2) WITH BOLT-ON CUTTING EDGE TYPE BUCKET



73072SP03

Description		Unit	Specification	
Operating weight		kg(lb)	9700(21380)	
Bucket capacity	Struck	m ³ (yd ³)	1.5(2.0)	
	Heaped		1.8(2.4)	
Overall length	A	mm(ft-in)	6850(22' 6")	
Overall width	B		2450(8' 0")	
Overall height	C		3120(10' 3")	
Ground clearance	D		370(1' 3")	
Wheelbase	E		2750(9' 0")	
Tread	F		1850(6' 0")	
Dump clearance at 45.	G		2730(8' 11")	
Dump reach(Full lift)	H		1005(3' 4")	
Width over tires	I		2295(7' 6")	
Dump angle	J		Degree (°)	48
Roll back angle(Carry position)	K			48
Cycle time	Lift(With load)	sec	5.2	
	Dump(With load)		1.0	
	Lower(Empty)		2.3	
Maximum travel speed		km/hr(mph)	37.0(23.1)	
Braking distance		m(ft-in)	12(39' 4")	
Minimum turning radius(Center of outside tire)			4.70(15' 5")	
Gradability		Degree (°)	30	
Travel speed	Forward	km/hr(mph)	First gear	
			Second gear	
			Third gear	
			Fourth gear	
	Reverse		First gear	
			Second gear	
Third gear				

3) WITH TOOTH TYPE BUCKET



Description		Unit	Specification	
Operating weight		kg(lb)	9700(21380)	
Bucket capacity	Struck	m ³ (yd ³)	1.4(1.9)	
	Heaped		1.7(2.2)	
Overall length	A	mm(ft-in)	6950(22' 10")	
Overall width	B		2480(8' 2")	
Overall height	C		3120(10' 3")	
Ground clearance	D		370(1' 3")	
Wheelbase	E		2750(9' 0")	
Tread	F		1850(6' 0")	
Dump clearance at 45°	G		2650(8' 8")	
Dump reach(Full lift)	H		1075(3' 6")	
Width over tires	I		2295(7' 6")	
Dump angle	J		Degree (°)	48
Roll back angle(Carry position)	K			48
Cycle time	Lift(With load)		sec	5.2
	Dump(With load)	1.0		
	Lower(Empty)	2.3		
Maximum travel speed		km/hr(mph)	37.0(23.1)	
Braking distance		m(ft-in)	12(39' 4")	
Minimum turning radius(Center of outside tire)			4.70(15' 5")	
Gradability		Degree (°)	30	
Travel speed	Forward	km/hr(mph)	First gear	
			Second gear	
			Third gear	
			Fourth gear	
	Reverse		First gear	
			Second gear	
Third gear				