

6. TOWING THE MACHINE

Except for an emergency, do not tow this machine. If it is inevitable to tow this machine, observe the following.

1) GENERAL

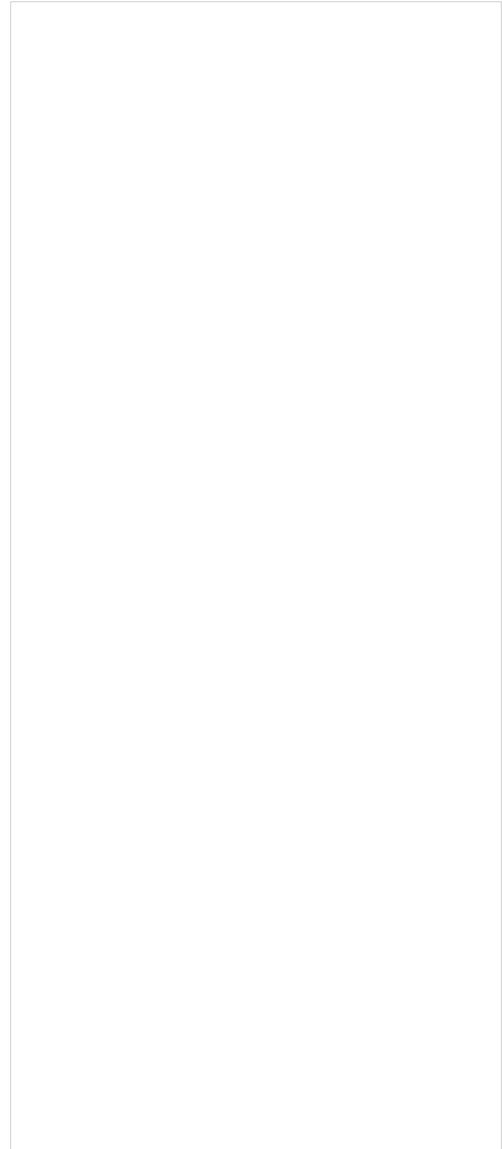
- (1) Parking brake cylinder of the machine is operated by the spring force and released by hydraulic pressure.
If the engine does not operate, the brake will be operated to stop the machine.
- (2) When the machine is towed move it for a repair to nearby place at the speed less than 2km/hr. Transport it on a trailer, if it has to be moved for a long distance.
- (3) When the steering device and the brake of the machine to be towed can not be operated, transport by trailer.

▲ Be careful when towing.

▲ Be careful that the brake will not work if there is any disorder in the braking system.

2) WHEN THE ENGINE WORKS

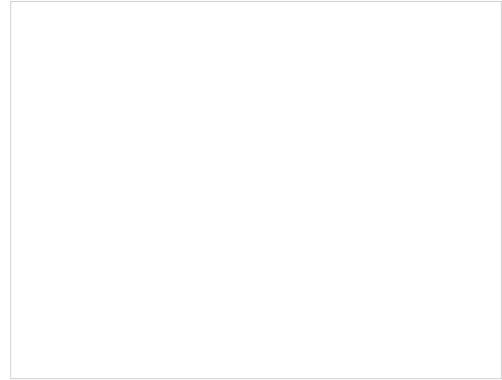
- (1) When the transmission system or steering wheel is workable and the engine is running, the machine can be towed only for a short distance.
- (2) The operator of the towed machine should turn the steering wheel into the direction in which the machine is towed.



3) WHEN THE ENGINE DOES NOT WORK

When towing the machine with the engine stopped, do it in the following order.

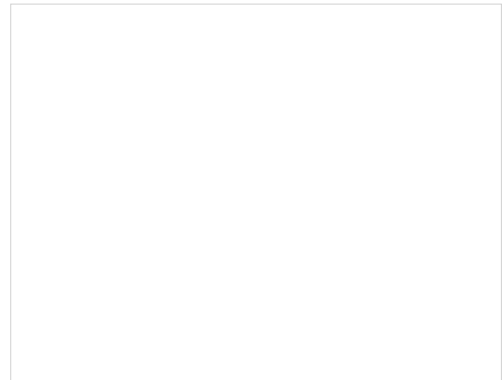
(1) Disconnect the front and rear drive shafts.



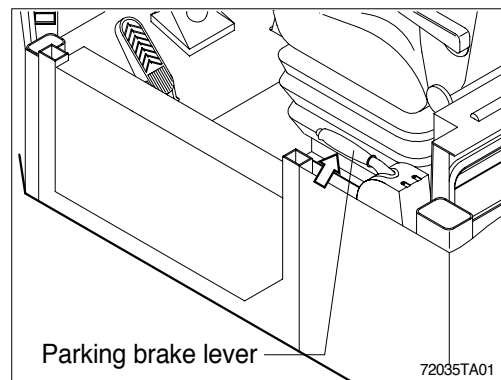
(2) Loosen the steering cylinder as the steering operation is not workable.

Even if the brake is in good condition, the machine has only wheel braking capability.

As the hydraulic booster is not working, more force is required when pressing the pedal.



(3) Release the parking brake.



(4) Connect firmly between the traction machine and the towed machine.

Position each traction machine at the front and rear of the machine to be towed.

