

8. ADJUSTMENT OF THE WORK EQUIPMENT

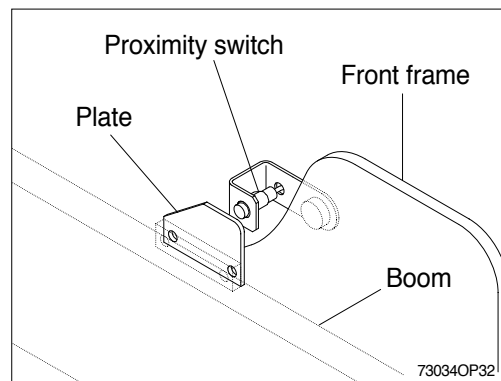
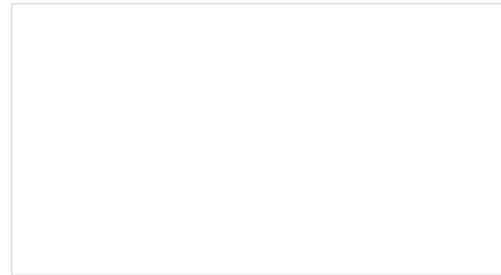
The bucket can be adjusted to a height desired by using the boom kick-out device.

- ▲ Park the machine on level ground and block the tires.
- ▲ Press the parking brake switch.
- ▲ Fix the front and rear frames by using the safety lock bar.
- ▲ Do not work underneath the work equipment.

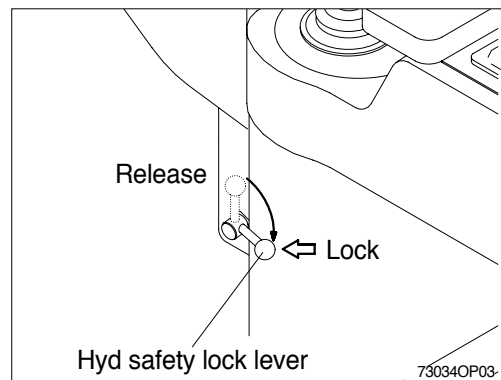
1) ADJUSTMENT OF THE BOOM KICK OUT

(1) Lift the boom up to a desired height, set the boom control lever at hold, then stop the engine.

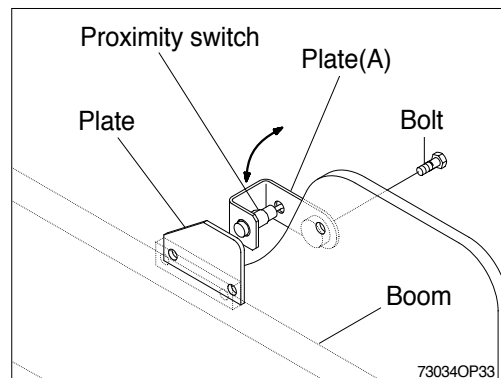
- ▲ Be careful lest work equipment fall down.



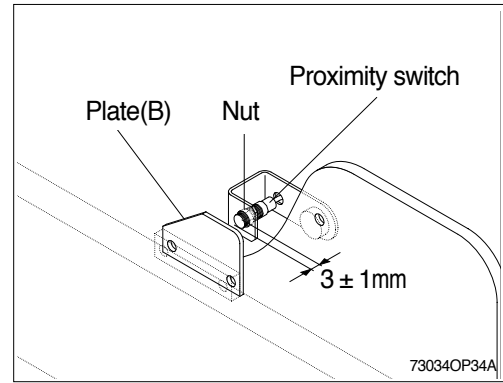
(2) Put the hydraulic safety lock lever in the LOCK position.



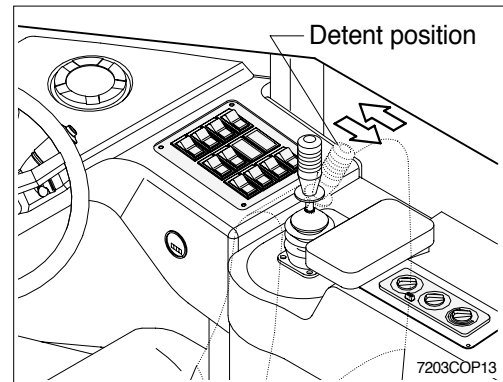
(3) Loosen bolt then tighten them after adjusting the plate(A) so that it comes in contact with the center of the probe of the proximity switch.



- (4) Loosen the nuts so that a clearance between the plate(B) and the probe of the proximity switch are 3 ± 1 mm.



- (5) After adjusting the boom in the boom kick out position, start the engine. Then lift the bucket to a desired height by using the control lever. Confirm the lever automatically returns to the detent position.



2) BUCKET LEVELER

- (1) The excavation angle of this machine is set to be in parallel to the surface.

