

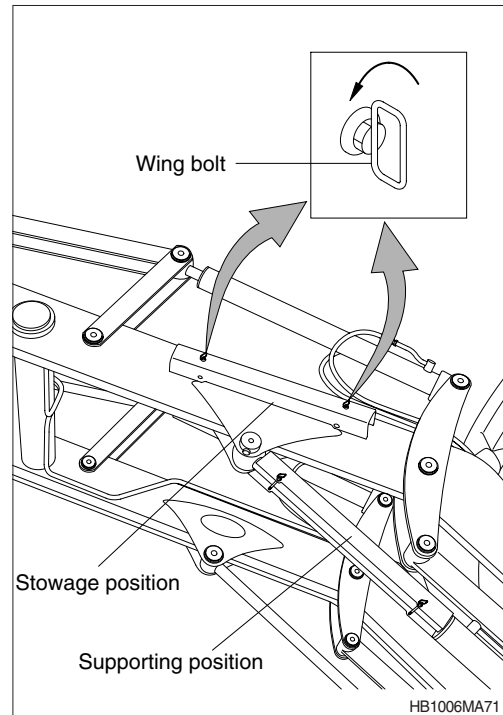
7. LOADER BOOM SAFETY STRUT

1) SUPPORTING

▲ If you service the machine with the loader boom raised, always use the loader boom support strut.

Otherwise, you can be killed or injured by falling the loader boom.

- (1) Empty the shovel and raise the loader boom fully.
 - (2) Stop the engine and remove the starter key.
 - (3) Loosen the two wing bolts and remove strut from its stowage position.
 - (4) Place the strut onto the lift cylinder and secure the strut by tightening the wing bolts shown as figure.
 - (5) Slowly lower the boom onto the strut.
- ※ When lowering the loader, operate the control lever very slowly.



2) LOWERING

- (1) Raise the loader boom to take the weight off the strut.
- (2) Stop the engine and remove the starter key.
- (3) Loosen the wing bolts and remove the strut carefully.
- (4) Reinstall the strut onto its stowage position using the wing bolts.