

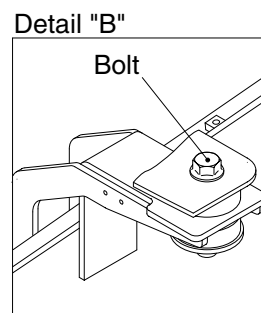
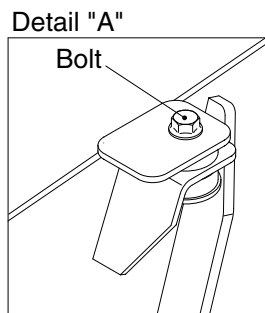
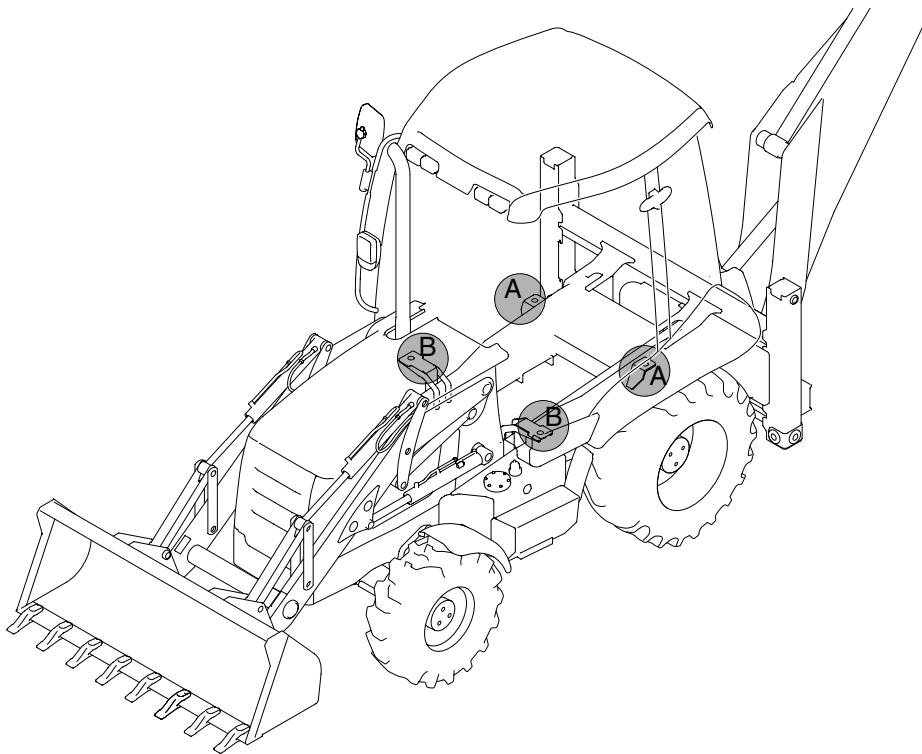
6. ROPS/FOPS STRUCTURE

▲ Your machine has a roll-over protective structure (ROPS) and a falling-object protective structures (FOPS). If the ROPS/FOPS has been in an accident, do not use the machine until the structure has been replaced all ROPS/FOPS components that are damaged. Modifications and repairs that are not approved by the manufacturer may be dangerous and will invalidate the ROPS/FOPS certification.

- 1) Check for cracks, rust or holes in the ROPS/FOPS structure. Age, weather and accidents can cause damage to the ROPS/FOPS structure. If you have any doubt the ROPS/FOPS structure, contact your Hyundai distributor. Failure to take these precautions could result in death or injury to the operator.
- 2) Check that the mounting bolts are installed and undamaged. Check the bolt torques. Tighten them to the correct torque if necessary.

- (1) The rear mounting bolts **A**.
- (2) The front mounting bolts **B**.

· Tightening torque (bolts **A** and **B**) : 29.7 kgf · m (215 lbf · ft)



HB1006MA05