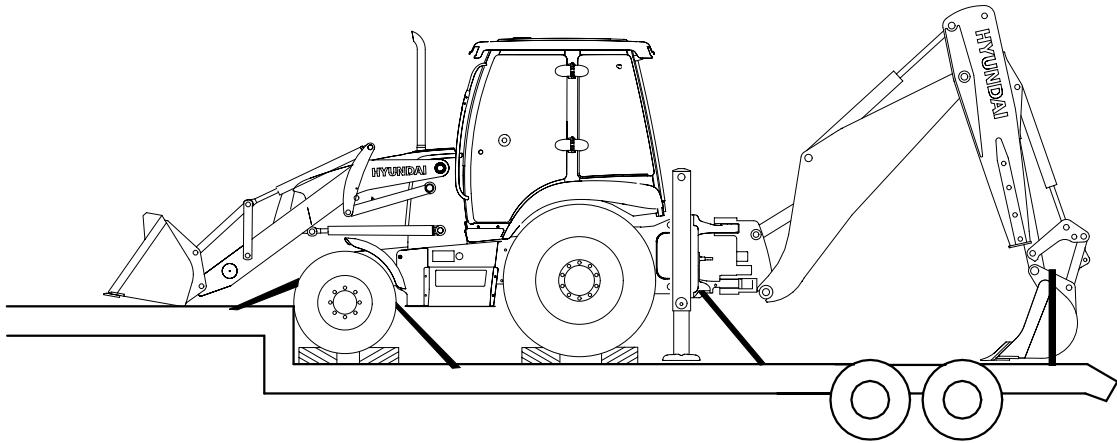


4. FIXING THE MACHINE



HB1005TA06

- 1) Anchor the machine to the trailer with wire-rope or chain.
- 2) Push the parking brake switch.
- 3) Push the safety switch to the OFF position to prevent the hydraulic system from operating.
- 4) Stop the engine, turn the starting switch off and remove the key.
- 5) Secure all locks.