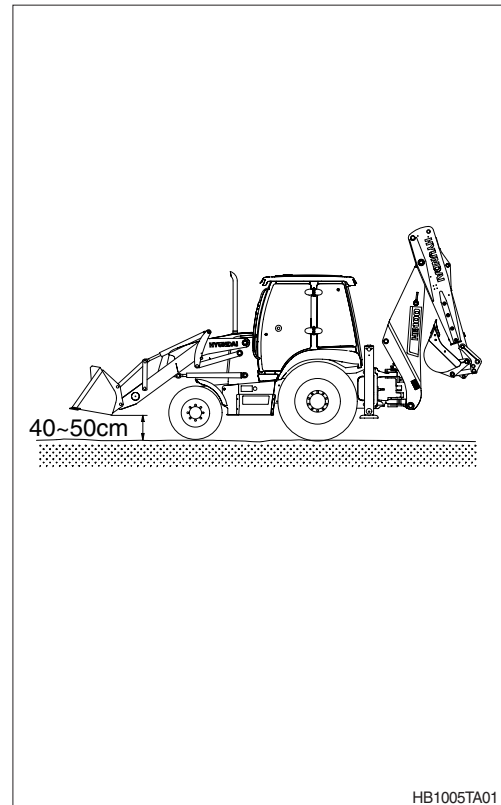


5. TRANSPORTATION

1. ROAD TRAVELING

If it is necessary to travel on a road, observe the followings.

- 1) Comply with regulations regarding this machine for the sake of safety.
- 2) Perform daily inspection before starting the machine.
- 3) Check the air pressure of tires and traveling speed limitations.
 - Air pressure (front) : 5.0 kgf/cm² (71 psi)
 - Air pressure (rear)
 - 18.4-26 : 3.4 kgf/cm² (48 psi)
 - 16.9-28 : 3.5 kgf/cm² (50 psi)
 - 21L-24 : 2.4 kgf/cm² (34 psi)
- 4) When traveling for a long distance, stop every hour or every 40 km (25 mile) to allow tires and other components to cool down and check any abnormality.
- 5) Drive with the bucket empty.
- 6) Travel at a mid-range speed and be careful to drive within the limited speed when driving on a public road.



HB1005TA01