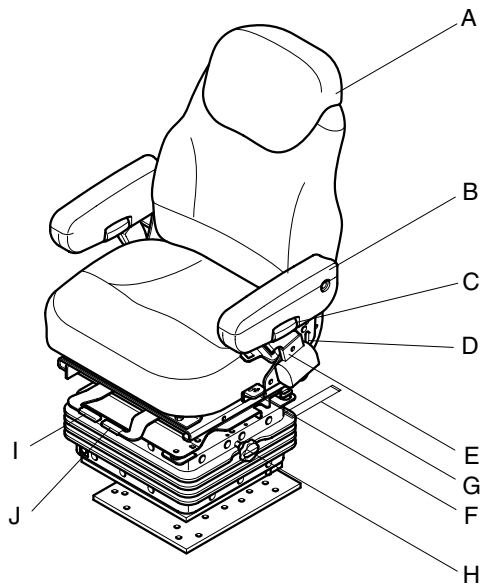


8. SEAT CONTROLS

1) SEAT

Do not adjust the seat when the machine is in operation.

The operator's seat can be adjusted for your comfort. A correctly adjusted seat will reduce operator fatigue. Position the seat so that you can comfortably reach the machine controls. For driving the machine, adjust the seat so that you can depress the brake pedals fully with your back against the seat back.



HB1003CD05

(1) Adjustable headrest (A)

Apply force upward or downward force to adjust height.

(2) Flip-up armrest (B)

The arm will "flip-up" out of the way for easy egress and entry.

(3) Armrest angle adjust (C)

The angle of the armrest can be adjusted by rotating the knob.

(4) Armrest adjustment (D)

The location of the armrest can be modified by loosening the bolts and relocating the armrest.

(5) Seat belt (E)

Retractable seat belt.

(6) Backrest angle control (F)

The recliner is spring loaded and will move forward when released it can easily be relined with a slight amount of force (back tilt adjust 21° forward and 33° rearward from the standard position).

(7) Tether straps (G)

The tether straps are to be mounted to the cab floor.

(8) Weight adjust (H)

The handle can be turned to adjust the suspension for different weight operators.

(9) Swivel control (I)

Lifting up the handle will allow the seat to rotate 180 degrees.

(10) Slide control (J)

Lifting the handle will allow the seat to slide forward and backward the can be done at the same time as the seat is being rotated.

(forward-backward total adjustment 152 mm).

2) SEAT BELT

Check the condition of the seat belt and mounting hardware before operating the machine.

Replace the seat belt at least once every three years regardless of appearance.

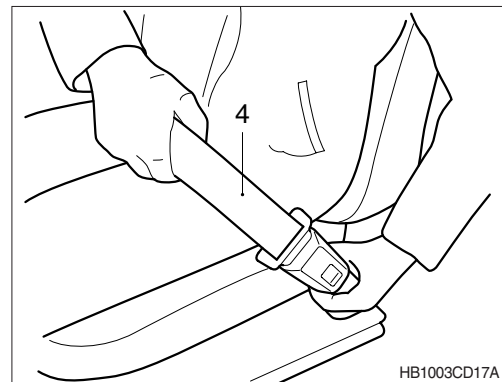
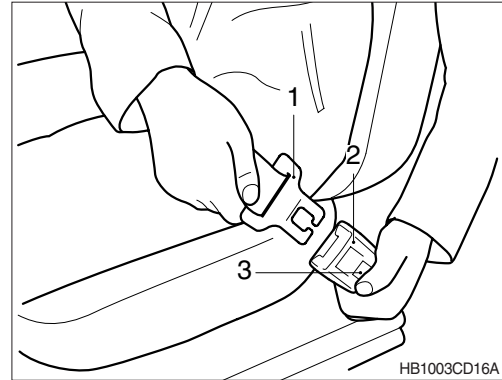
Always use seat belts when operating your machine.

(1) Fasten the seat belt

- ① Pull the belt strap (4) from the retractor.
- ② Insert the metal end into the buckle.

(2) Release the seat belt

- ① Press button (3) and pull the metal end (1) from the buckle (2).
- ② Let the seat belt retract into its retractor.



- 1 Metal end
- 2 Buckle
- 3 Button
- 4 Strap