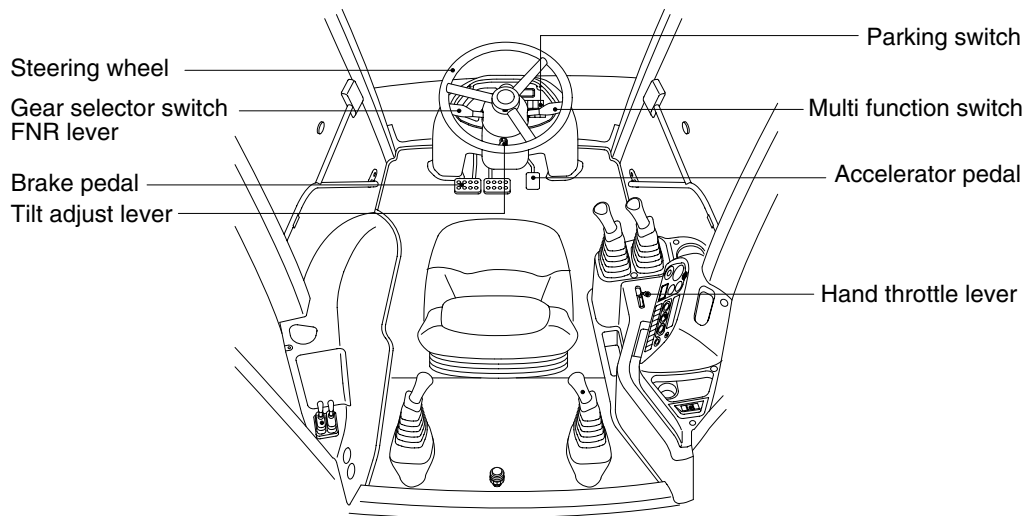
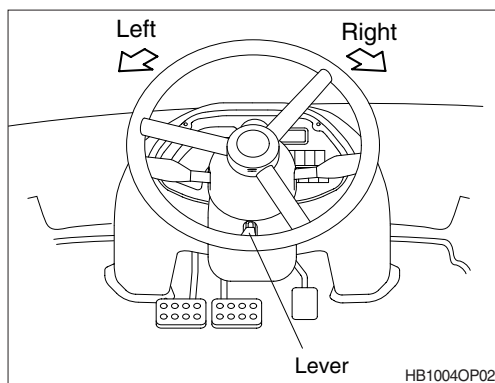


4. DRIVE CONTROLS



HB1003CD19



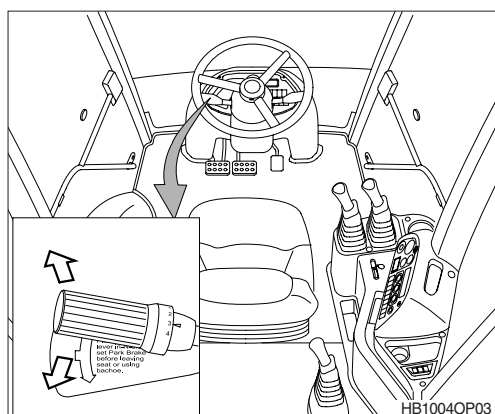
1) STEERING WHEEL

- (1) Two multi-motion cylinders in the center of the machine will operate the steering function.
- (2) If the steering wheel is turned to left, the machine will move to the left and turn it to the right, the machine will move to the right.

2) STEERING WHEEL LEVER

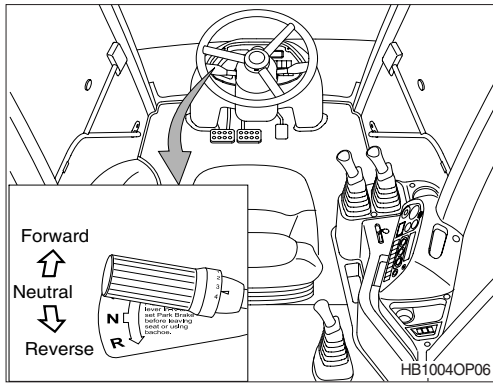
- (1) By pushing the lever down, the wheel is adjustable to tilt.

▲ Make sure the steering column is locked in position. Do not adjust the steering column while driving.



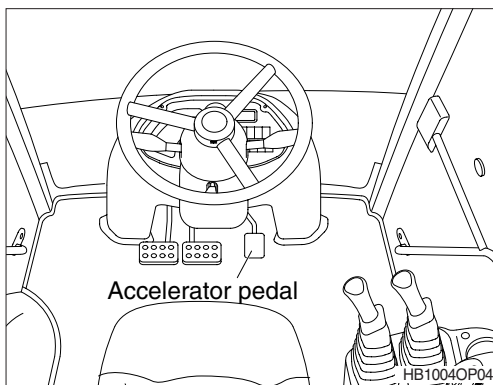
3) GEAR SELECTOR SWITCH

- (1) This lever is used for gear selection, forward 4 stages and reverse 3 stages.
- (2) If you turn the gear selector lever forward, the machine increases the speed, but if you turn the gear selector lever backward, the machine reduces the speed.



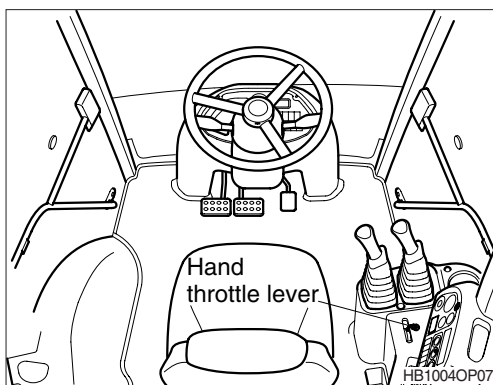
4) FNR LEVER

- ※ The engine will only start if the lever is at neutral.
- (1) This lever controls the travel direction of the machine.
- (2) To travel forward, lift the lever and push to forward position.
- (3) To travel reverse, lift the lever and pull to backward position.
- ※ Be sure to stop the machine when changing the direction forward or backward while traveling.



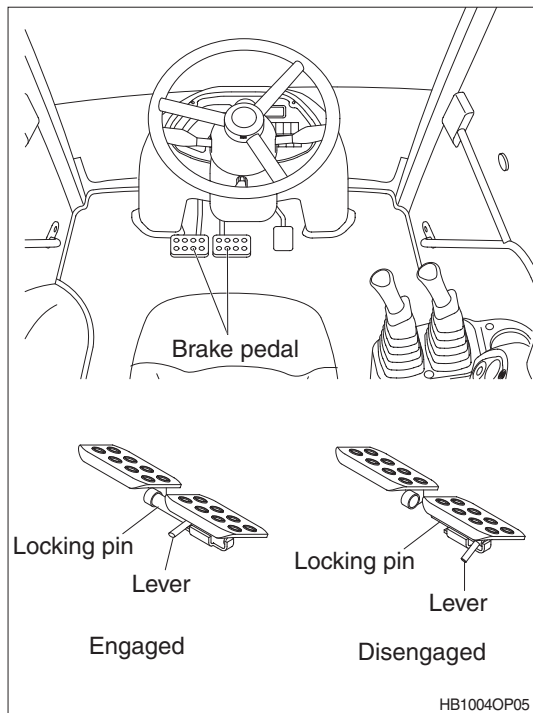
5) ACCELERATOR PEDAL

- (1) This pedal controls the engine speed. The engine speed will increase in proportion to the degree of force applied to this pedal.
- (2) Unless this pedal is pressed, the machine will run at low idling.
- ▲ Do not use the hand throttle lever to set the engine speed while driving.



6) HAND THROTTLE LEVER

- (1) This lever is used to increase or decrease the engine speed.
- ▲ Do not use the hand throttle lever to set the engine speed while driving.



7) BRAKE PEDALS

(1) Left brake pedal

By pushing this pedal, the left brake is operated.

(2) Right brake pedal

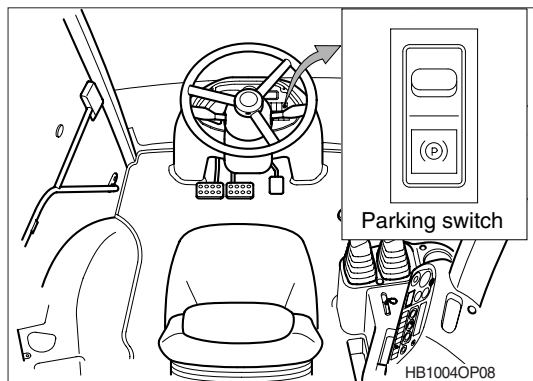
By pushing this pedal, the right brake is operated.

▲ Always lock the pedals together when driving on the road in any gear or when you operate the machine 3rd or 4th gear. If not, you and others can be killed or injured.

※ The stop lights should come on when the brakes are applied.

(3) Lock and unlock

- **Lock** : Move the lever up and slide the locking pin to right into the lock engaged position.
- **Unlock** : Move the lever up and slide the locking pin to left into the lock disengaged position.



8) PARKING BRAKE SWITCH

(1) This switch is pressed, the parking brake will start to operate and the gauge panel warning lamp will come ON.

※ When operating the gear selector switch, be sure to release the parking brake. If the machine is operated with the parking brake engaged, the brake will overheat and may cause the brake system to go out of order.