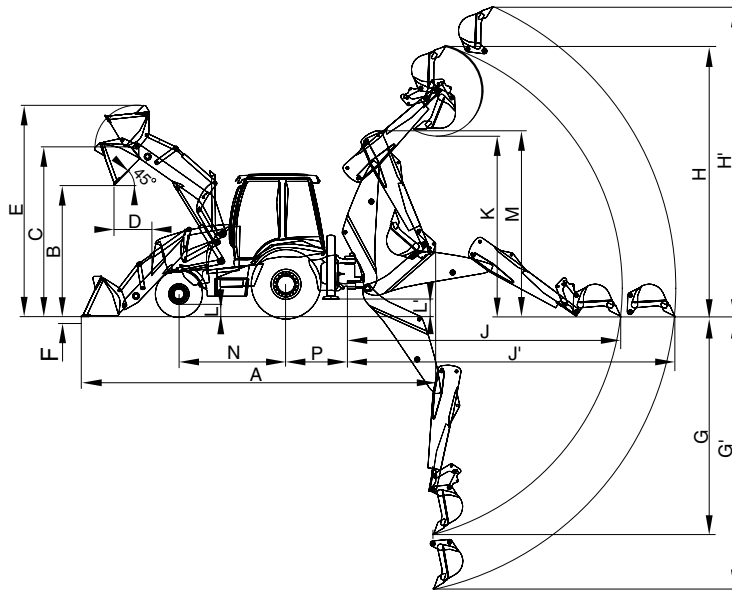


2. DIMENSIONS

1) HB100/HB90



HB1002SP02

Description			Unit	Specification	
				HB100	HB 90
Operating weight	Standard dipper and GP bucket		kg (lb)	7900 (17420)	7830 (17260)
	Extendible dipper and MP bucket		kg (lb)	8500 (18740)	8440 (18610)
Transport length	GP bucket			5800 (19' 0")	5800 (19' 0")
	MP bucket			5850 (19' 2")	5850 (19' 2")
Transport height	Standard dipper			3650 (12' 0")	3450 (11' 4")
	Extendible dipper			3700 (12' 2")	3500 (11' 6")
Transport width	GP bucket			2350 (7' 9")	2350 (7' 9")
	MP bucket				
Loader data	Overall length	A	mm (ft-in)	7350 (24' 1")	7350 (24' 1")
	Dump clearance	B		2735 (9' 0")	2735 (9' 0")
	Hinge pin height	C		3530 (11' 7")	3530 (11' 7")
	Dump reach	D		785 (2' 7")	785 (2' 7")
	Max loading height	E		4380 (14' 4")	4380 (14' 4")
	Depth of bucket down	F		105 (0' 4")	105 (0' 4")
Backhoe data	Max digging depth (STD)	G		4455 (14' 7")	4250 (13' 11")
	Max digging depth (EXT)	G'		5665 (18' 7")	5470 (17' 11")
	Max digging height (STD)	H		5570 (18' 3")	5370 (17' 7")
	Max digging height (EXT)	H'		6390 (20' 12")	6190 (20' 4")
	Max digging reach (STD)	J		5550 (18' 3")	5350 (17' 7")
	Max digging reach (EXT)	J'		6665 (21' 10")	6480 (21' 3")
	Max loading height	K	3720 (12' 2")	3520 (11' 6")	
	Minimum ground clearance	L	350 (1' 2")	350 (1' 2")	
	Height of outrigger	L'	363 (1' 3")	363 (1' 3")	
Dumping height	M	3860 (12' 8")	3660 (12' 0")		