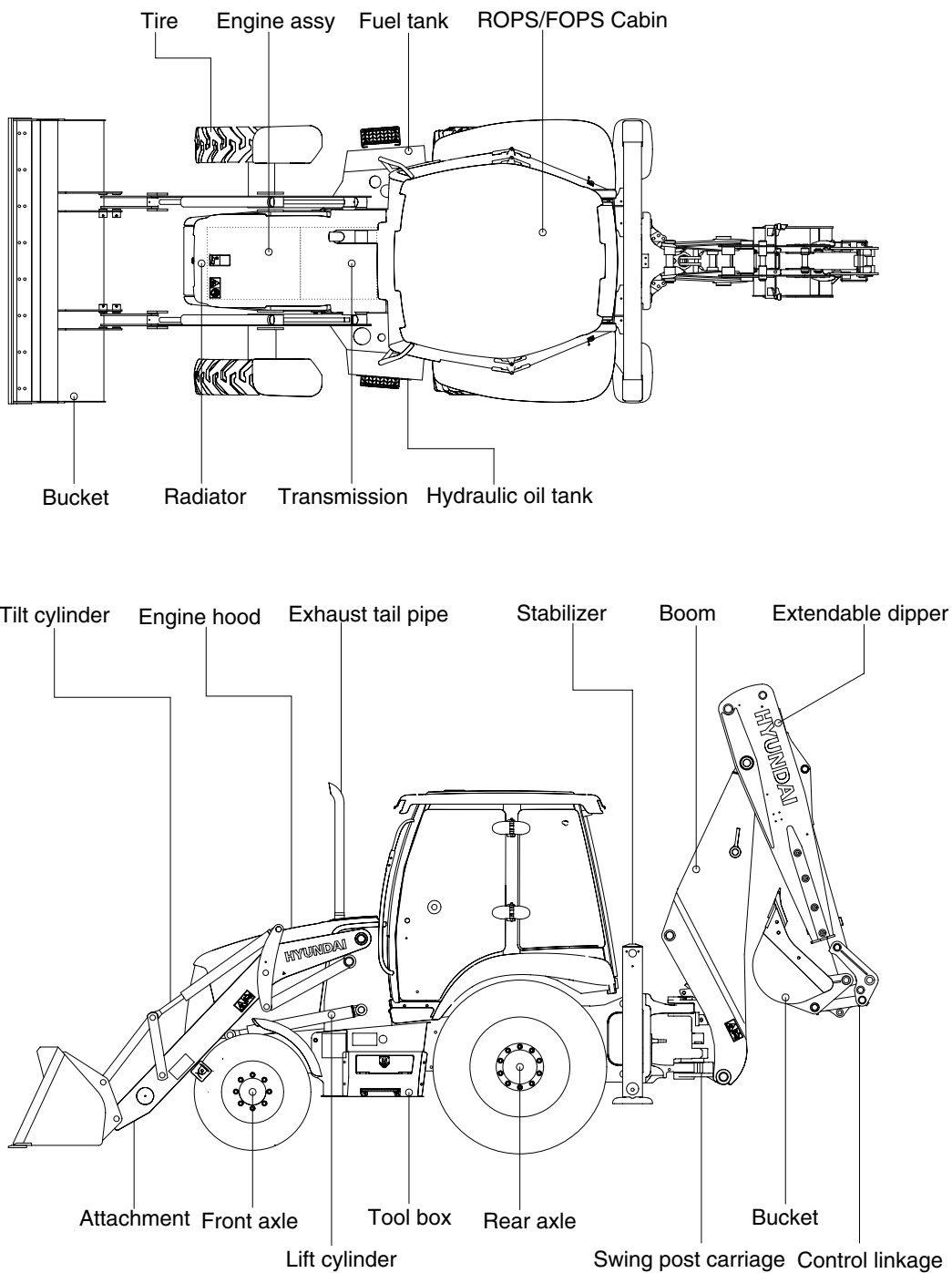


2. SPECIFICATIONS

1. MAJOR COMPONENTS



HB1002SP01